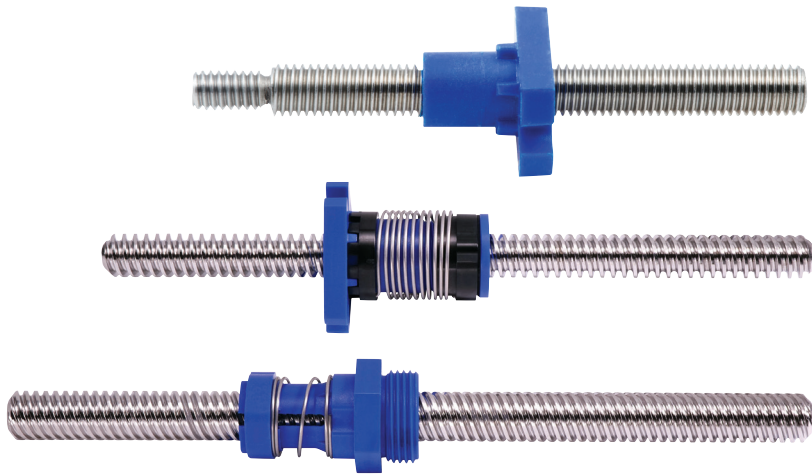




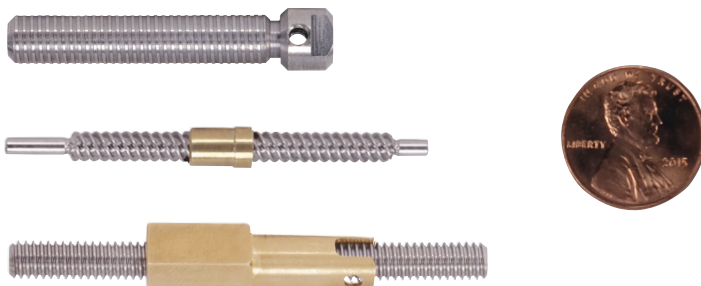
PRODUCT OVERVIEW





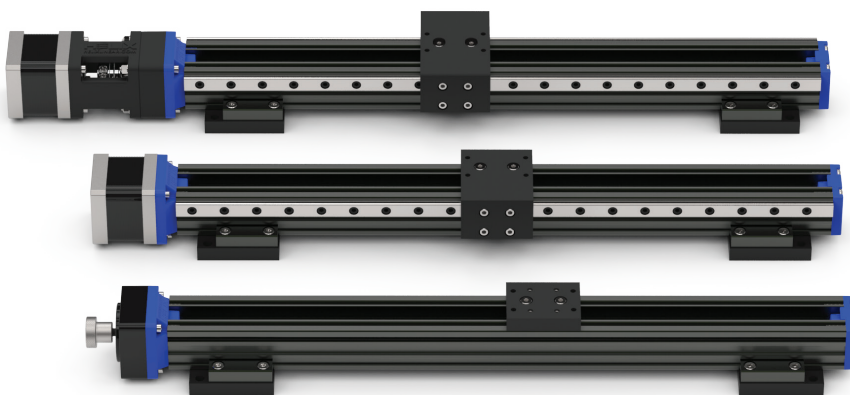
Lead Screw and Nut Assemblies

- Standard, anti-backlash & custom nuts
- Smooth operation
- Quiet performance
- Available with Helix H4X PTFE coating
- Highest lead accuracy
- ACME, Stub ACME, Modified ACME, Trapezoidal and other thread forms available



Miniature Lead Screws and Nuts

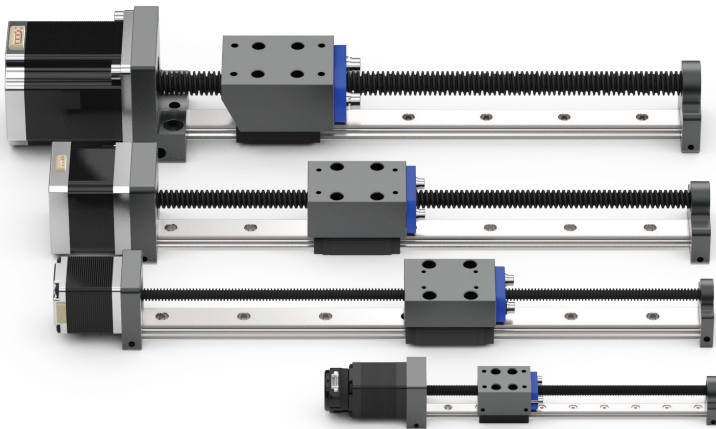
- Highest lead accuracy
- Diameters as small as 1.6 mm (.062")
- Custom molded and machined nuts with value-added features



Micro Precision Linear Actuators

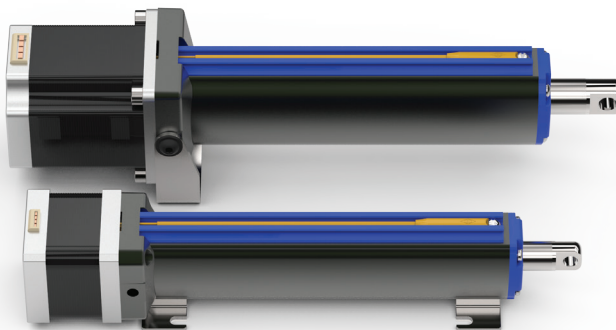
- Integrated Precision Actuator (IPA) with lead screw integrated into the stepper motor
- Coupled Motor Linear Actuator (CPA) Lead screw is coupled with stepper motor
- Simple Precision Linear Actuator (SPA) Non-motorized actuator
- Low torque / high stiffness
- Available with RH and LH twin screws on single rail

In addition, Helix Linear Technologies routinely designs, builds and manufactures precision lead screw products for all industries.



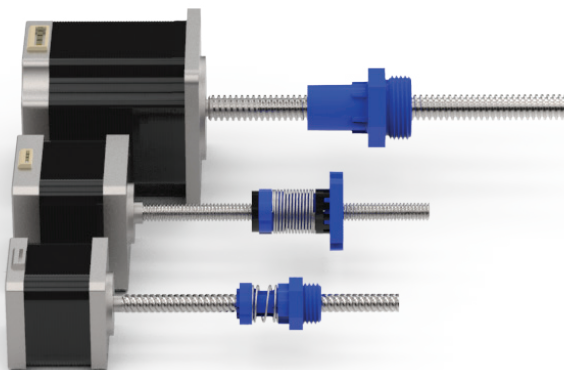
PR Lead Screw Linear Actuators

- Turnkey solution
- Precision ground profile rail
- Low torque / high stiffness
- RH / LH screws available in lengths up to 48"



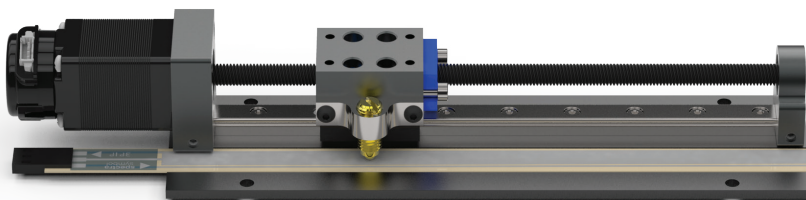
Captive Electric Cylinders

- Fully enclosed actuator
- Integrated linear potentiometer
- Integrated magnetic position sensors
- Precision lead screws
- Teflon coated screws for long life
- Variety of end mounts - clevis, rod end, custom designs
- Lead screws and ball screws



Hybrid Stepper Motor Actuators

- Eliminates coupling and bearing support
- Minimizes space requirements
- Accommodates all standard and anti-backlash nut designs
- Screws supplied with Helix H4X coating
- Stroke length and end-machining per spec
- Ball screws also available



Custom Solutions

- Turnkey solution
- Eliminates alignment issues
- Saves assembly time
- Threaded steel inserts

CALL TODAY FOR A QUICK AND EASY QUOTE

Smooth. Clean. Quiet.

helixlinear.com



23200 Commerce Park Road Beachwood, OH 44122 USA 216-485-2232